

**TECHNICAL SPECIFICATION**

FENCE TYPE  
**SAUDI ARAMCO SECURITY FENCE TYPE-3**

**POSTS AND PIPES**

ALL FENCE POSTS AND PIPES COMPLYING WITH ASTM A-53 SCH 40, PRE-GALVANIZED WITH AN AVERAGE ZINC COATING OF 450 GR/M2.

ITEM	POST LENGTH	OUTSIDE DIA(MM)	WALL THICKNESS	WEIGHT Kg/M
LINE POST	3400	60.3	3.91	5.44
CORNER, END AND STRAINING POST	3400	73.0	5.16	8.65
BRACE RAIL/STRUT	2900	42.2	3.56	3.39

**FITTINGS**

ALL FENCE FITTINGS TO BE HOT-DIPPED GALV. AFTER MANUFACTURE IN ACCORDANCE WITH ASTM A-53 AND A-153.

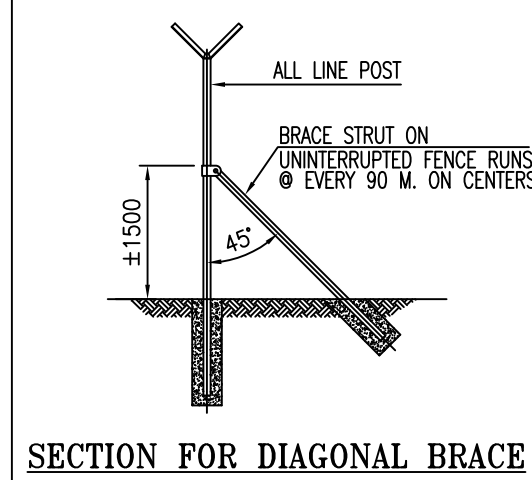
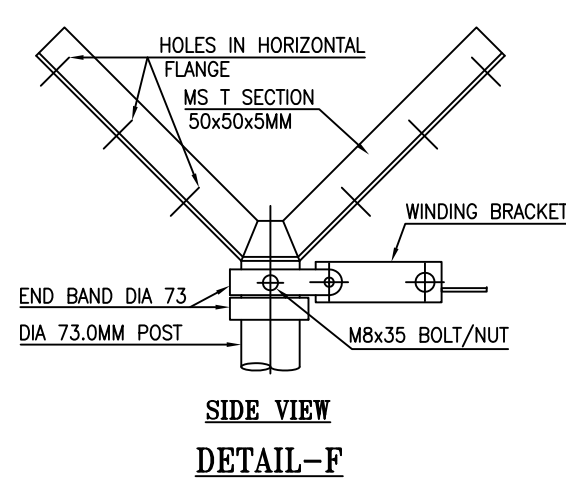
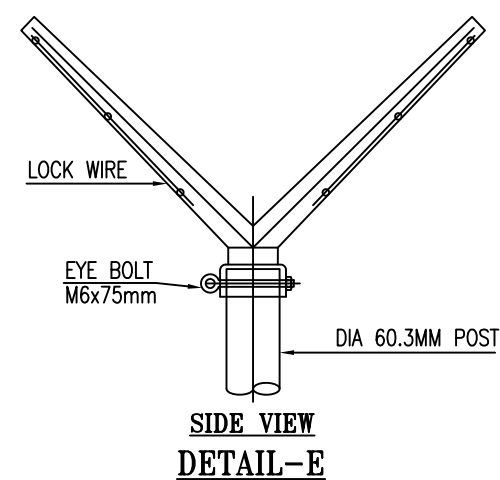
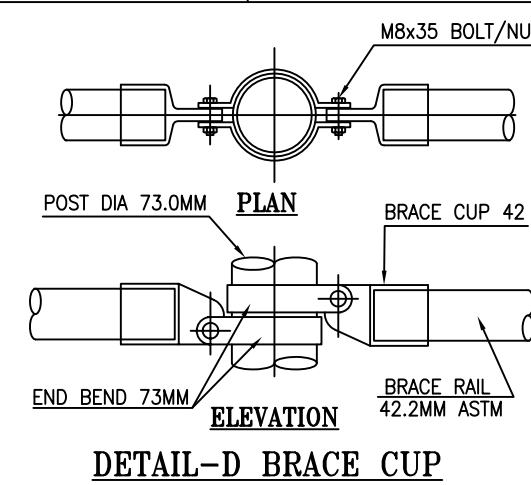
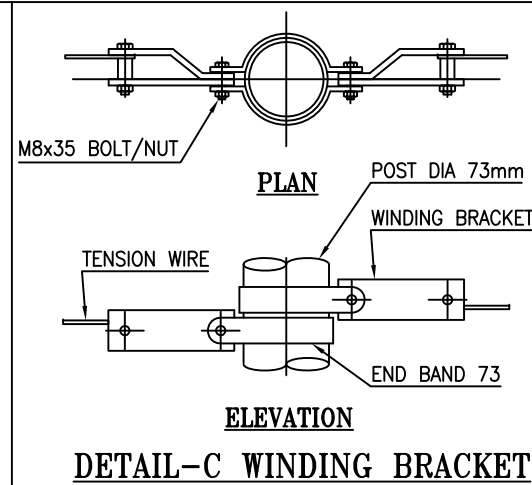
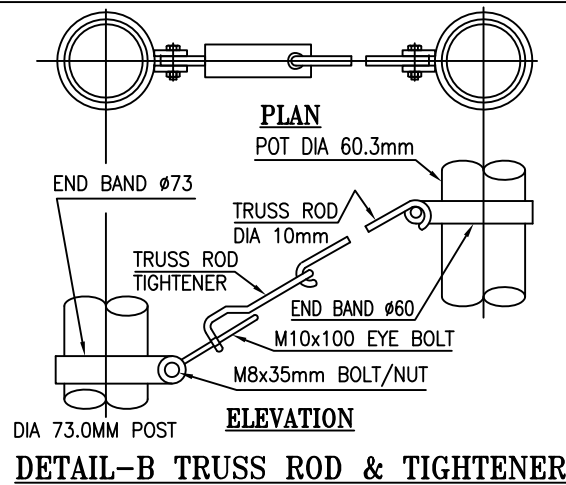
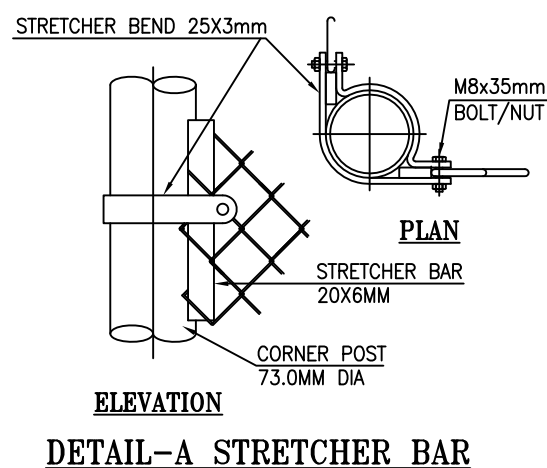
**WIRE PRODUCTS**

1. WIRE FOR CHAIN LINK FABRIC GALVANIZED AS PER ASTM A-392.
2. TENSION, STIRRUP AND TIE WIRE GALVANIZED A-641 CLASS-1.

CLASS	CHAIN LINK FABRIC		TENSION WIRE	STIRRUP WIRE	TYING WIRE	BARBED WIRE
	MESH	WIRE DIA				
B	50	3.76	4.5	3.0	2.5	Ø2.5mm GAUGE 2 STRANDS 4 POINT BARBS AT 102 SPACING

**NOTES**

1. ALL DIMENSION ARE IN mm, UNLESS NOTED OTHERWISE.
2. ALL RESPONSIBILITIES FOR CONCRETE FOUNDATIONS ARE WITH THE CONTRACTOR.
3. CONCRETE BEAM, POST FOUNDATION, REBARS & WRAPING TAPING BY OTHERS.
4. ALL M10 BOLT/NUT ARE CARRIAGE BOLT/NUT.



**FINISH**  
CLASS B

1. ALL FENCE FITTING MATERIALS OF GOOD COMMERCIAL QUALITY HOT-DIPPED GALVANIZED AFTER MANUFACTURE WITH AN AVERAGE ZINC COATING OF 550 GR/M2 OF SURFACE AREA, REFER TO ASTM A-120, A-123 & A-153.
2. CHAINLINK FABRIC, TENSION, STIRRUP AND TIE WIRE ARE SPECIAL GALVANIZED WITH A MIN. ZINC COATING OF 366 GR/M2 OF SURFACE AREA. REFER TO ASTM A-392.

APPROVED:	CLIENT:	-
M.Z	FENCE TYPE	SAUDI ARAMCO SECURITY FENCE TYPE-3
DESIGNED:	TITLE:	-
F.A		
DRAWN:		
M.T		

**GOLDEN FENCE MECHANICAL FACTORY**  
 P.O.BOX 36323 JUBAIL 31961 TEL. : +9663-3408020  
 KINGDOM OF SAUDI ARABIA FAX : +9663-3408022  
 INFO@GOLDENFENCE.COM WWW.GOLDENFENCE.COM

DATE	DRAWING NO.	REV.
-	-	△