

## TECHNICAL SPECIFICATION

FENCE TYPE  
**SAUDI ARAMCO SECURITY FENCE TYPE-1**

### POSTS AND PIPES

ALL FENCE POSTS AND PIPES COMPLYING WITH ASTM A-53 SCH 40, PRE-GALVANIZED WITH AN AVERAGE ZINC COATING OF 450 GR/M2.

ITEM	POST LENGTH	OUTSIDE DIA(MM)	WALL THICKNESS	WEIGHT Kg/M
LINE POST	3350	60.3	3.91	5.44
CORNER, END AND STRAINING POST	3400	73.0	2.16	8.65
BRACE RAIL/STRUT	2900	42.2	3.56	3.39
TOP RAIL	6000	42.2	3.56	3.39

### FITTINGS

ALL FENCE FITTINGS TO BE HOT-DIPPED GALV. AFTER MANUFACTURE IN ACCORDANCE WITH ASTM A-53 AND A-153.

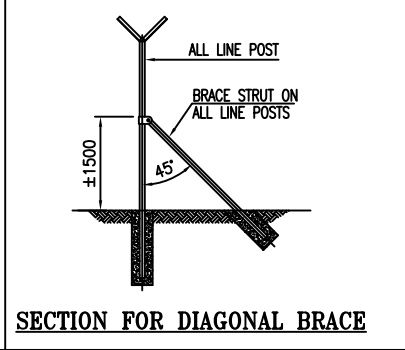
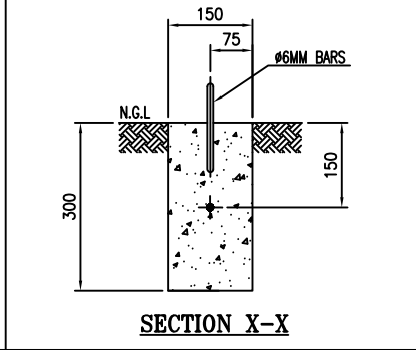
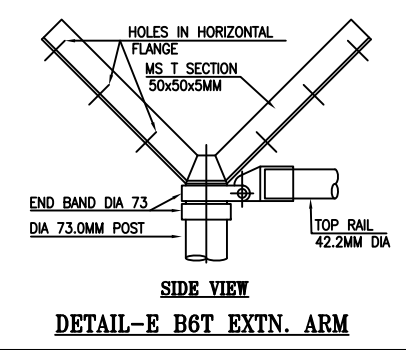
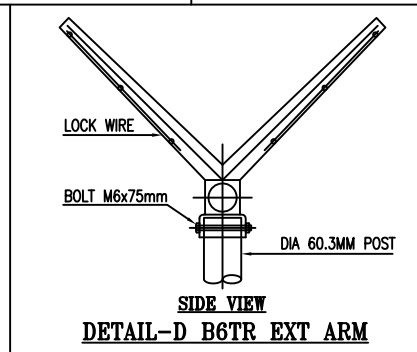
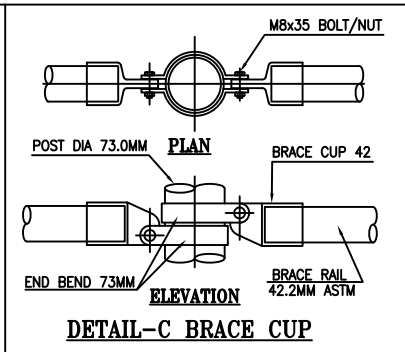
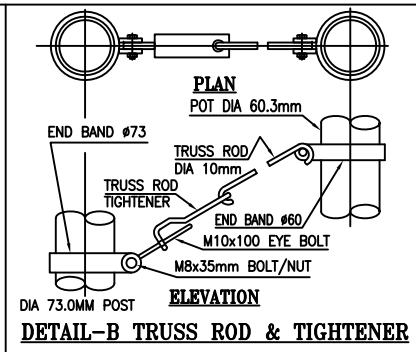
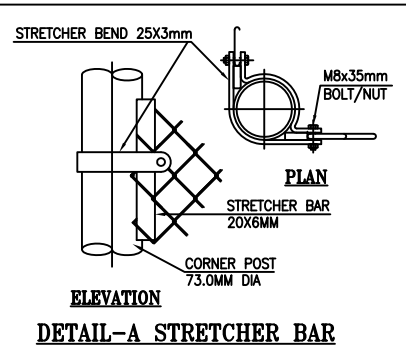
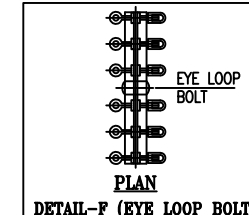
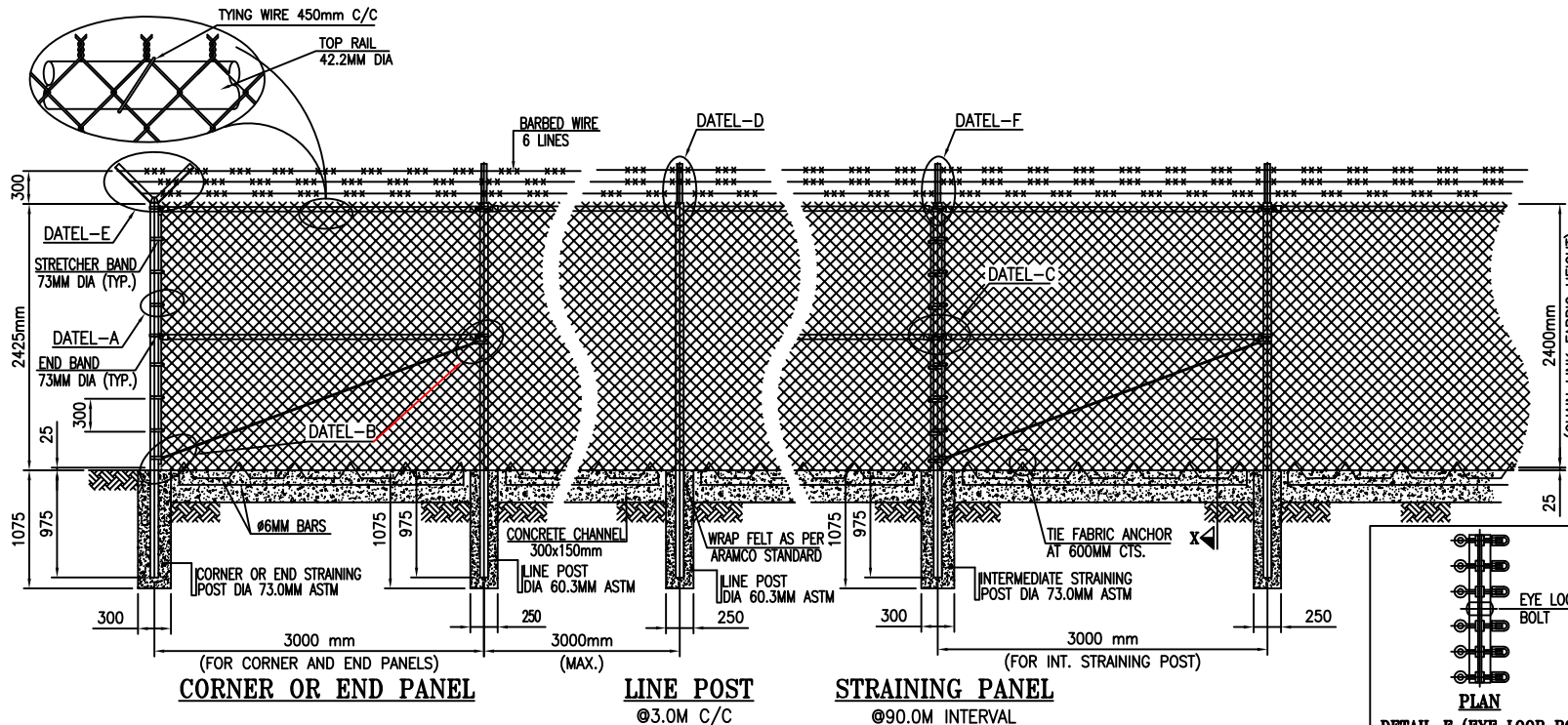
### WIRE PRODUCTS

- WIRE FOR CHAIN LINK FABRIC GALVANIZED AS PER ASTM A-392.
- TENSION, STIRRUP AND TIE WIRE GALVANIZED A-641 CLASS-1.

CLASS	CHAIN LINK FABRIC		TENSION WIRE	STIRRUP WIRE	TYING WIRE	BARBED WIRE
	MESH	WIRE DIA				
B	50	3.76	-	-	2.5	#2.5mm GAUGE 2 STRANDS 4 POINT BARBS AT 102 SPACING

### NOTES

- ALL DIMENSION ARE IN mm, UNLESS NOTED OTHERWISE.
- ALL RESPONSIBILITIES FOR CONCRETE FOUNDATIONS ARE WITH THE CONTRACTOR.
- CONCRETE BEAM, POST FOUNDATION, REBARS & WRAPPING TAPING BY OTHERS.
- ALL M10 BOLT/NUT ARE CARRIAGE BOLT/NUT.



**FINISH CLASS B**

- ALL FENCE FITTING MATERIALS OF GOOD COMMERCIAL QUALITY HOT-DIPPED GALVANIZED AFTER MANUFACTURE WITH AN AVERAGE ZINC COATING OF 550 GR/M2 OF SURFACE AREA, REFER TO ASTM A-120, A-123 & A-153.
- CHAINLINK FABRIC, TENSION, STIRRUP AND TIE WIRE ARE SPECIAL GALVANIZED WITH A MIN. ZINC COATING OF 366 GR/M2 OF SURFACE AREA. REFER TO ASTM A-392.

APPROVED:	M.Z	CLIENT:	-
DESIGNED:	F.A	FENCE TYPE	SAUDI ARAMCO SECURITY FENCE TYPE-1
DRAWN:	M.T	TITLE:	-

**GOLDEN FENCE MECHANICAL FACTORY**

P.O.BOX 36323 JUBAIL 31961 TEL : +966 13 3408020  
KINGDOM OF SAUDI ARABIA FAX : +966 13 3408022  
INFO@GOLDENFENCE.COM WWW.GOLDENFENCE.COM

DATE	DRAWING NO.	REV.
	-	A